

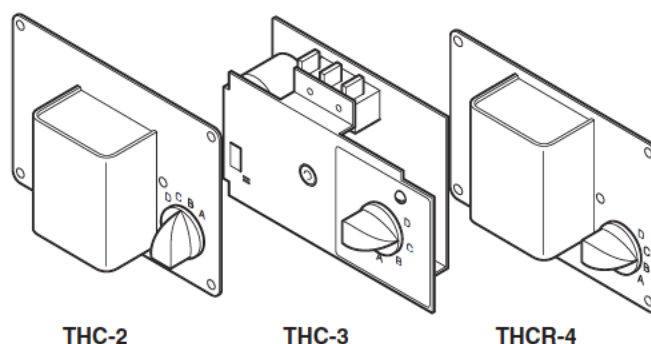
THC-2, THC-3, THCR-4

Two-Position Enthalpy Controller

This controller provides on-off (two-position) low voltage control of the amount of air brought into the cooling system with respect to the “total heat” (enthalpy) of the outside air. THC-3 and THCR-4 controllers replace Honeywell H250A series.

Features:

- Direct acting and reverse acting applications from all units.
- Long life nylon element.
- 1/2 in. conduit units available.
- Competitive replacement units listed.
- Fail safe design.



Model Chart

Model No.	Control Settings					Replaces Honeywell
	Dial Setting	10% RH	20% RH	50% RH	80% RH	
THC-2	A	88°F (31°C)	—	83°F (28°C)	74°F (23°C)	—
	B	83°F (28°C)		78°F (26°C)	70°F (21°C)	
	C	78°F (26°C)		73°F (23°C)	64°F (18°C)	
	D	73°F (23°C)		68°F (20°C)	59°F (15°C)	
THC-3	A	—	78°F (26°C)	73°F (23°C)	68°F (20°C)	—
	B		73°F (23°C)	68°F (20°C)	63°F (17°C)	
	C		68°F (20°C)	63°F (17°C)	59°F (15°C)	
	D		62°F (17°C)	58°F (14°C)	53°F (12°C)	
THCR-4	A	—	78°F (26°C)	73°F (23°C)	68°F (20°C)	H205A-1012 H205A-1061
	B		73°F (23°C)	68°F (20°C)	63°F (17°C)	
	C		68°F (20°C)	63°F (17°C)	59°F (15°C)	
	D		62°F (17°C)	58°F (14°C)	53°F (12°C)	

Specifications

Control dial settings	Refer to Model Chart. Intermediate settings are available.
Sensing elements	
Humidity	Nylon ribbon. (Controller will function as a dry bulb control if the nylon element should fail.)
Temperature	Bimetal.
Differentials	8% RH (approximately) and 2F degrees (1C degrees).
Environment	
Ambient temperature limits	Shipping and storage: -40 to 150°F (-40 to 65°C). Operating: 40 to 150°F (4 to 65°C).
Humidity	5 to 95% RH, non-condensing.
Locations	NEMA Type 1, Indoor only.
Electrical switch	Snap acting SPDT will run the outdoor air damper to the minimum position whenever the total heat in the outdoor air renders it unsuitable for cooling.
Rating	100 mA to 2.5 amps at 24 Vac.

Specifications (Continued)

Connections	
THC-2, THCR-4	Three 6 in. (150 mm) color coded leads.
THC-3	Three 1/4 in. male quick connect (spade lug) terminals.
Cover	All metal; THC-2 and THCR-4 with 1/2 in. conduit opening.
Mounting	In any position where it is exposed to freely circulating outdoor air.
Dimensions	
THC-2, THCR-4	4-3/4 H x 6-1/2 W x 3-1/2 D in. (121 x 165 x 89 mm).
THC-3	3-1/2 H x 5-1/8 W x 1-1/8 D in. (89 x 130 x 29 mm).
General Instructions	Refer to F-20009.

Typical Applications

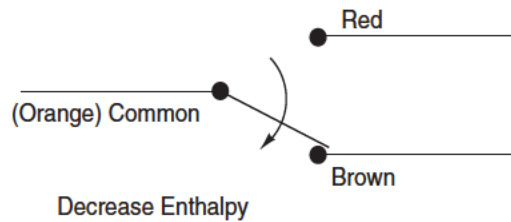


Figure 1 THC-2, THCR-4 Switch Action and Lead Identification.

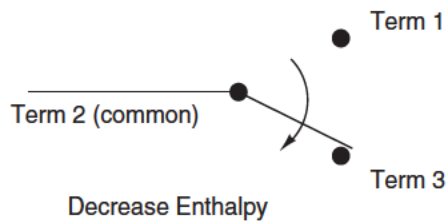


Figure 2 THC-3 Switch Action and Terminal Identification.